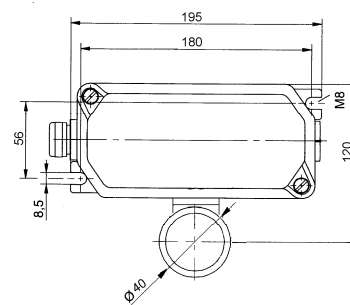
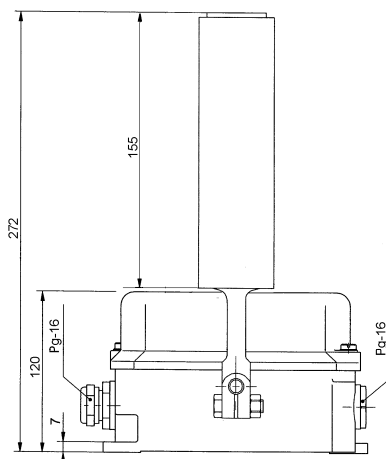
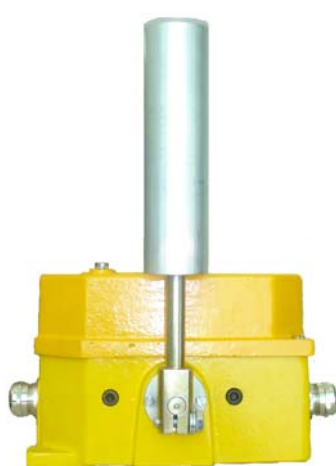




Manufacture - Trade - Export - Import



## BIT-HES-16



### CONVEYOR BELT MISALIGNMENT SWITCH – BIT-HES-16

#### APPLICATION

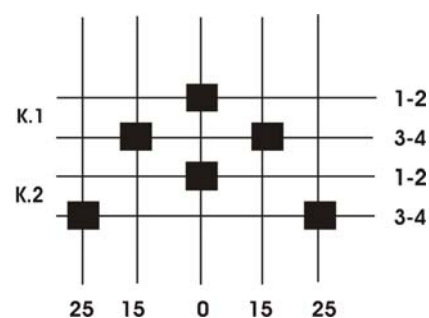
These switches are designed for heavy duty application and used at fixed belt conveyors in order to keep the risk of unintentional operation as low as possible. The lateral movement of the conveyor belt is monitored and by switching off the conveyor in the case of unacceptable belt drift, the belt monitoring prevents damage and destruction of belt and the machine.

#### OPERATION

The actuator of the misalignment switch is operated and displaced when the belt edge approaches the end of the supporting rollers through lateral movement and surpasses it. In that case, the first adjustable switching point is between 5° and 15°, the second between 15° and 25°. The shut-off of the conveyor is carried out optionally with the first or second switching point. Alternatively, a misalignment warning can be created with the first switching point or a safety switch-off with the second switching point. Equally, operating function is possible under force on roller-handle from left and right side, too.

#### TECHNICAL DATA

Enclosure	AlSi alloy
Dimensions	200x100x120 (272) mm
Actuator	Metal Al/Fe with roller lever Ø40 x 155 mm
Overtravel	75°
Pretravel	15°, 25°
Cable	1,5 -2,5 mm <sup>2</sup>
Cable inlet	2x Pg-16
Switching system	2x (NO + NC), snap action
Rated current	16A
Rated voltage	250VAC
Contact reliability	1x10 <sup>6</sup>
Protection rating	IP 65
Rated temperature range	-25°C - +70°C
Weight	3 kg



#### STANDARD

Complies with EN 60947-5-1:2003 ( GOST R 50030.5.1-2005).

#### WARRANTY

Warranty term is 24 months from delivery date.