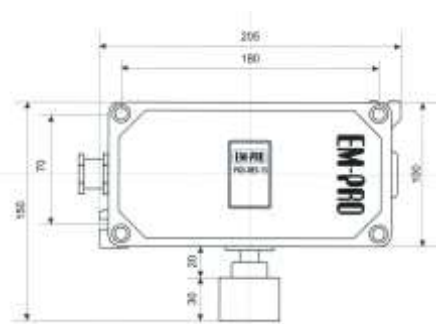
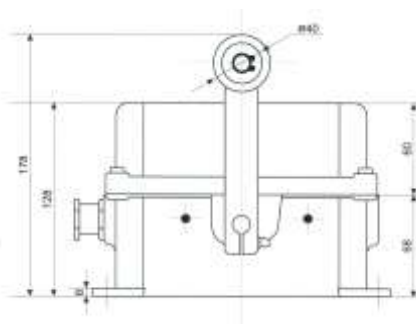




## PGS-RES-16



### LEVER LIMIT SWITCH – PGS-RES-16

#### APPLICATION

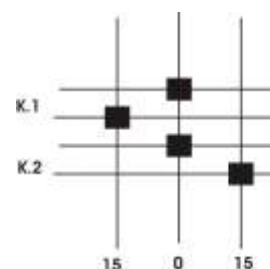
The switch can be used as main or overtravel control switch for automatic cut off of electric system when overtravel ultimate positions.

#### OPERATION

The switch is operated as soon as the switch lever hits the switching rule. This sets the interruptor shaft with the switching disk in rotation. This rotary movement triggers the snap-action switch.

#### TECHNICAL DATA

Enclosure	AlSi alloy
Dimensions	205x100x178 mm
Lever	Metal-Fe with roller $\varnothing 40 \times 30$ mm
Overtravel	$90^{\circ}$
Pretravel	$15^{\circ}$
Cable	1,5 -2,5 mm <sup>2</sup>
Cable inlet	2x Pg-16
Switching system	2x (NO + NC), snap action
Rated current	16A
Rated voltage	250VAC
Contact reliability	$1 \times 10^6$
Protection rating	IP 65
Rated temperature range	$-25^{\circ}\text{C} - +75^{\circ}\text{C}$
Weight	2,65 kg



#### STANDARD

Complies with EN 60947-5-1:2003 (GOST R 50030.5.1-2005).

#### WARRANTY

Warranty term is 24 months from delivery date.