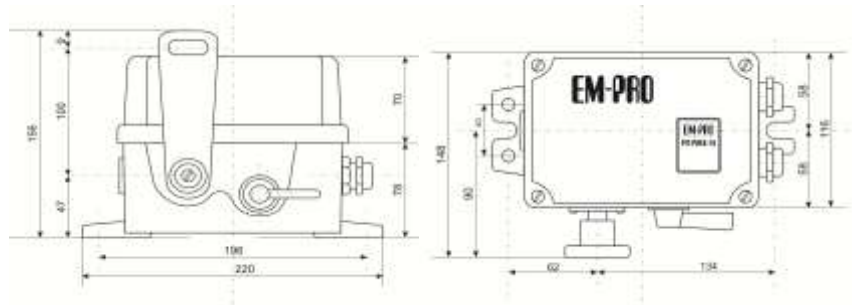




PIT-PRES-16



POOL-ROPE EMERGENCY-STOP SWITCH WITH LOCK – PIT-PRES-16

APPLICATION

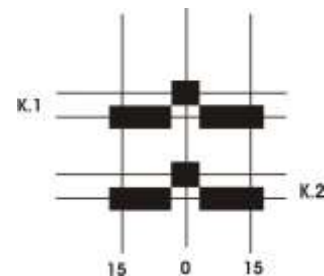
Pull-rope emergency stop switches are used for the prevention of industrial accidents at long conveyor systems. They can be installed on the approach sides of conveyor belt systems or machines and can be operated at any point along the length of a section and, depending on the system, disconnect single or multiple drives or even the total plant.

OPERATION

The switch is actuated by a pull rope connected on both sides of the red release lever. The emergency stop signal is performed with positive-making normally closed (NC) contacts. After the emergency stop function is triggered, the switching mechanism is locked in the shut-off position "0". When reset lever is actuated in switch position "1", the switching contacts are reactivated and the conveyor belt prepared for being turned back on again.

TECHNICAL DATA

Enclosure	AlSi alloy
Dimensions	220x116x156 mm
Lever	Metal AlSi
Overtravel	90°
Pretravel	15°
Switching system	2x (NO + NC), snap action
Rated current	15A
Rated voltage	250VAC
Contact reliability	1x10 ⁶
Protection rating	IP 65
Rated temperature range	-40°C - +75°C
Weight	2,72 kg



STANDARD

Complies with EN 60947-5-1:2003 (GOST R 50030.5.1-2005).

WARRANTY

Warranty term is 24 months from delivery date.

