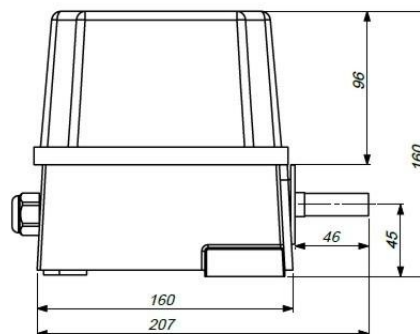
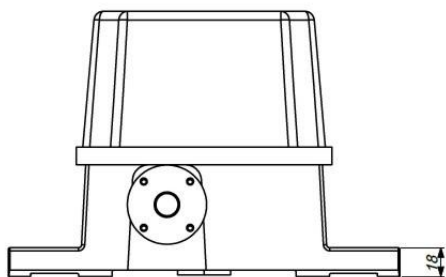
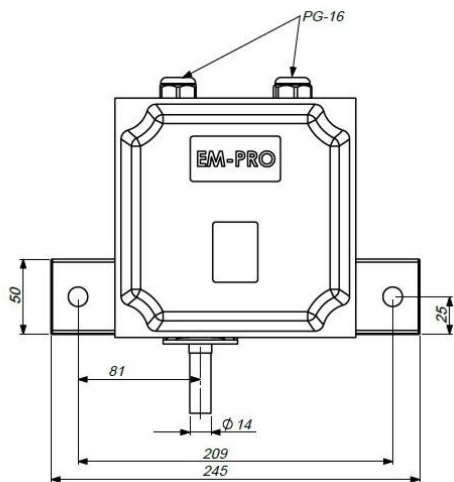


## VRETENASTA GRANIČNA SKLOPKA SPINDLE LIMIT SWITCH



TEHNIČKI PODACI	TECHNICAL DATA	
Kučište	Enclosure	AlSi alloy
Dimenzije	Dimensions	245x160x160 mm
Centralna osovina	Central axle	Metal Iron, Fi 14x40
Maks. broj obrtaja ul. vratila	Max. number of the gear rotation	70
Kontakti	Switching system	6x (NO + NC), snap action
Nazivna struja	Rated current	16A
Nazivni napon	Rated voltage	400VAC
Mehanički vek trajanja kontakata	Contact reliability	1x10 <sup>6</sup>
Stepen mehaničke zaštite	Protection rating	IP 65
Radna temperatura	Rated temp. range	-40°C - +80°C
Težina	Weight	6,20 kg
Standard	Standard	IEC 947-5-1

